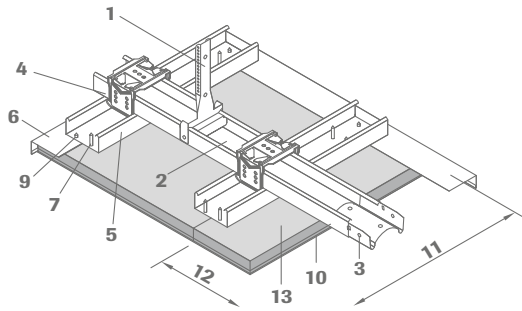




Monolithic acoustic ceiling

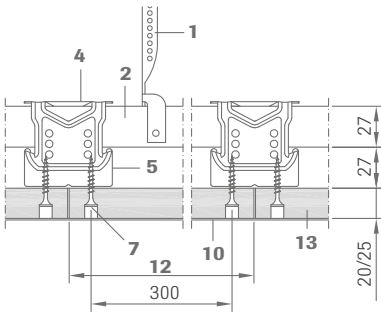
OWAconsult collection

S 7 OWApplan system | Seamless

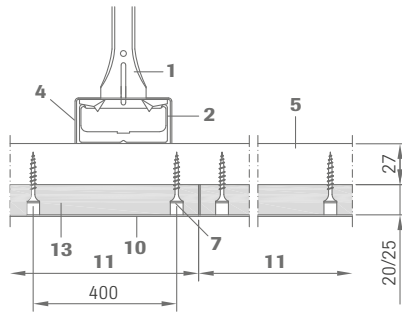


- 1 Nonius hanger lower part no. 2001, spacing ≤ 1000 mm
- 2 Supporting grid CD profile 60/27 no. 2003, spacing ≤ 1000 mm
- 3 Profile connector no. 2005
- 4 Cross connector no. 2004
- 5 Tile grid CD profile 60/27 no. 2003, spacing ≤ 400 mm
- 6 Wall angle no. 51/22 resp. no. 51/27
- 7 Tile screw no. 2019, spacing ≤ 300 mm resp. 400 mm
- 8 U-shaped hanger no. 2012 for inclined installation/direct mounting, to be shortened on site, spacing ≤ 1000 mm
- 9 Self-tapping screw no. 2024
- 10 Plaster coating
- 11 Board width
- 12 Board length
- 13 OWApplan ceiling board

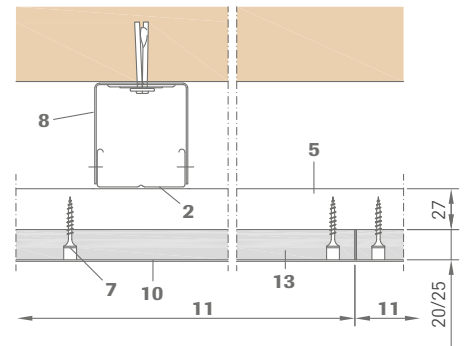
Section:



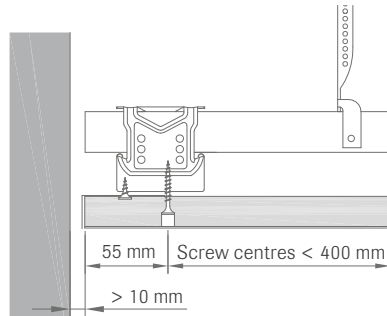
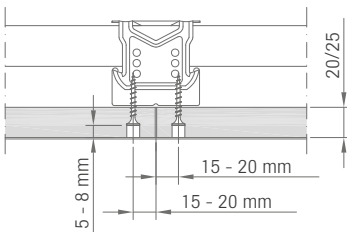
Cross-section:



Direct fixing:



Tile screw set out:



Technical data | Mineral boards OWApplan⁷⁰ and OWApplan⁹⁰

Dimensions

OWApplan⁷⁰: 2400 x 1200 x 20 mm
OWApplan⁹⁰: 2400 x 1200 x 25 mm

Edges

3

Reaction to fire

A2-s1,d0 in accordance with EN 13501-1
class 1 (ASTM E84) | class A (ASTM E1264)

Reaction to fire

Under reinforced concrete ceiling up to REI 60 (EN 13501-2)

Metal system

All metal parts galvanised. For further details see OWApplan installation instructions.

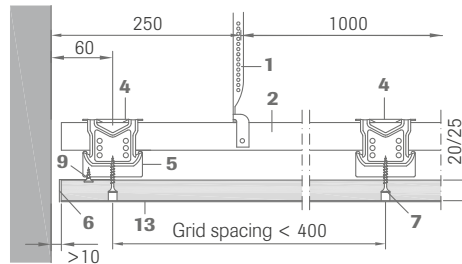
Minimum suspension depth

Suspension depth 180 mm (depending on the existing raw ceiling).
Direct fixing approx. 80 - 90 mm. from the raw ceiling

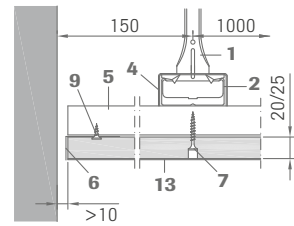
Wall connection with flexible joint design:

Connections to walls, pillars, columns and outer connectors are to be installed as a flexible design. This requires installing angle profile no. 51/22, no. 51/27 and/or curved angle profile no. 51/22-O, no. 51/27-O at the board grid level and fastening this to the board grid using no. 2024 self-tapping screw. Also, a CD profile no. 2003 is fastened to the supporting grid using cross connectors at maximum spacings of 50 mm on the board grid level.

Flexible wall connection/section:

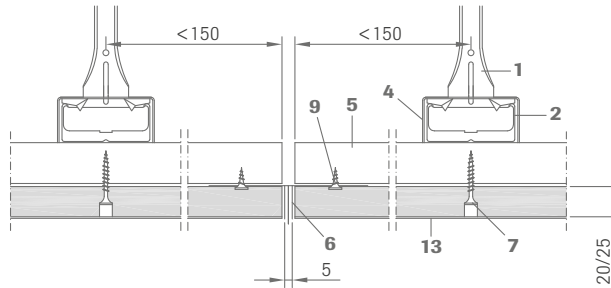


Flexible wall connection/cross-section:



Expansion gaps:

Expansion gaps in the OWAplan ceiling are only necessary in areas where the building has existing expansion gaps. Grid and ceiling boards are to then be separated. The expansion gaps are to be flexible and installed using two no. 51/22 resp. no. 51/27 (6) angle profiles.

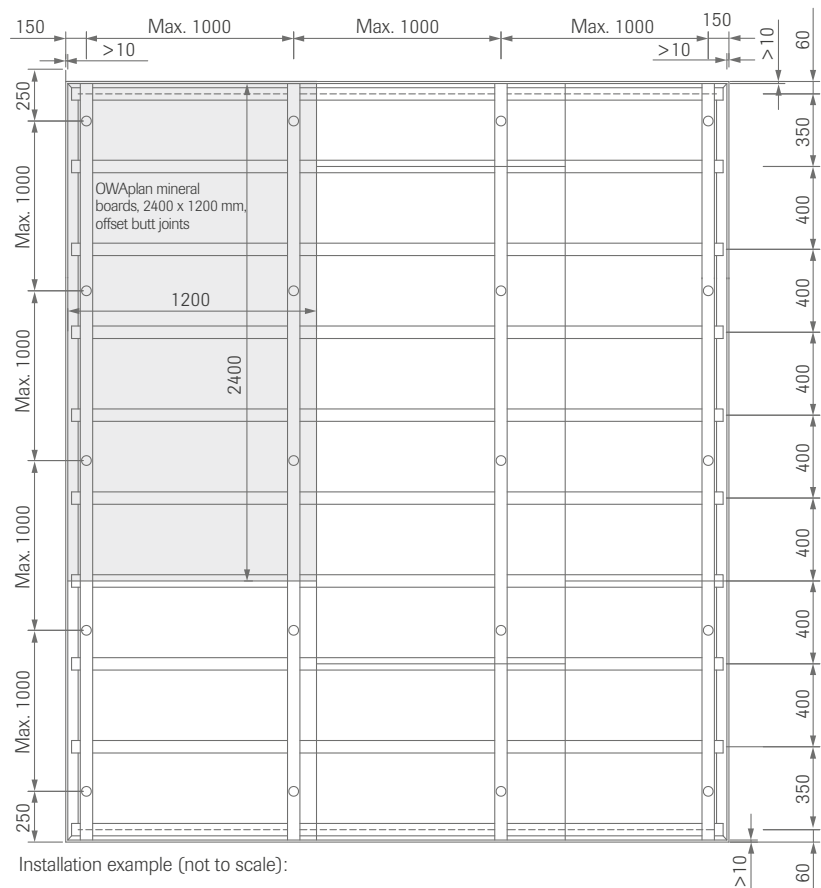


Perfect seamless finish:

OWAplan ceilings comprise OWAacoustic premium tiles in sizes 2400 x 1200 mm and thickness of 20 mm or 25 mm, which, in combination with the coating system, can be installed as a gap-free, seamless surface. The sharp edged boards are installed with offset transverse joints and attached to the CD profiles of the board grid using no. 2019 tile screws. The ceiling is then covered using the coating system. This results in a homogenous, seamless surface.

Installation is quick, accurate and problem-free. All openings for light fixtures, access flaps, curtain rails, sprinklers, spot lights and others can be incorporated in the ceiling design.

For further details and fire rated installation instructions please refer to OWAplan installation instructions (brochure no. 1031 e).



OWAplan comfort access flap:

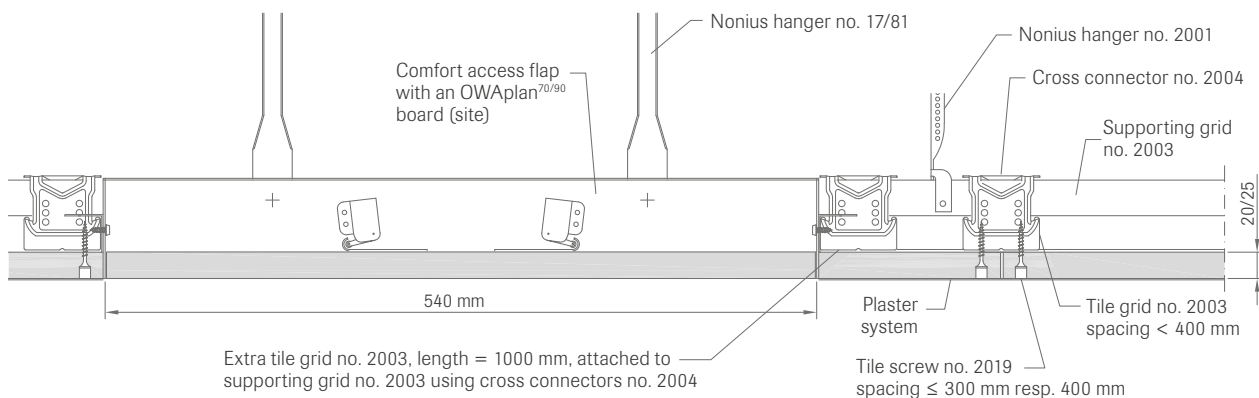
For access requirements in OWAplan ceilings, two sizes of comfort flaps are available: 340 x 340 mm and 540 x 540 mm. The OWAplan^{70/90} mineral fibre board must be cut on site according to the size of the inspection flap and glued with the adhesive no. 99/24. After installation, the flap is closed and covered with the same plaster system. The access flap is only visible through

a narrow gap between the cover and frame. The access flap is opened and closed by pushing the cover up or down gently. Special sizes are available on request.

For further details on access flap installation, see the OWAplan installation instructions.



Cross-section of access flap 540 x 540 mm:



Plaster coating

OWAplan S, white

OWAplan XS, white

OWAplan color, RAL/NCS colour on request

Sound absorption OWAplan⁹⁰ board

for 200 mm suspension depth

average: $\alpha_w = 0.90$, NRC = 0.90

Sound absorption OWAplan⁷⁰ board

for 200 mm suspension depth

average: $\alpha_w = 0.65$, NRC = 0.70

The absorption properties refer to OWAplan S white and OWAplan XS white. There may be a minimal reduction in acoustic absorption for OWAplan color depending on the respective colour shade. For further information please contact customer services.

S 7 OWApplan system | Seamless

Material required per m² (recommended value):

No.	Description	2400 x 1200 x 20 mm	2400 x 1200 x 25 mm
2001	Nonius hanger lower part	1 pce	
16/...	Nonius hanger upper part	1 pce	
76	Safety pin	2 pcs	
2012	U-shaped hanger for inclined installation/direct mounting	1 pce	
2013	Nonius base for inclined installation	1 pce	
2003	CD profile	3.5 m	
2004	Cross connector	2.5 pcs	
2005	Profile connector	0.9 pcs	
2019*1	Tile screw	15 pcs 26 pcs for fire rating	
2024	Self-tapping screw	8 pcs/m, not applicable for fire protection	
51/22	Angle profile for 20 mm OWApplan ⁷⁰ boards	Dependent on project, not applicable for fire protection	
51/27	Angle profile for 25 mm OWApplan ⁹⁰ boards	Dependent on project, not applicable for fire protection	
51/22-0	Curved angle profile in m for 20 mm OWApplan ⁷⁰ boards	Dependent on project, not applicable for fire protection	
51/22-0	Angle profile column semi-circles up to Ø = 1500 mm, as a piece, for 20 mm OWApplan ⁷⁰ boards	Dependent on project, not applicable for fire protection	
51/27-0	Curved angle profile in m for 25 mm OWApplan ⁹⁰ boards	Dependent on project, not applicable for fire protection	
51/27-0	Angle profile column semi-circles up to Ø = 1500 mm, as a piece, for 25 mm OWApplan ⁹⁰ boards	Dependent on project, not applicable for fire protection	
8069/6	Mounting frame	Dependent on project	
8031/9*2	Access flap 340 x 340 mm + no. 17/81 for 20 mm OWApplan ⁷⁰ boards	Dependent on project	
8031/10*2	Access flap 540 x 540 mm + no. 17/81 for 20 mm OWApplan ⁷⁰ boards	Dependent on project	
8031/11*2	Access flap 340 x 340 mm + no. 17/81 for 25 mm OWApplan ⁹⁰ boards	Dependent on project	
8031/12*2	Access flap 540 x 540 mm + no. 17/81 for 25 mm OWApplan ⁹⁰ boards	Dependent on project	
99/24	Glue for inspection hatch	Dependent on project	

*1 Average number of tile screws used. The number of screws varies depending on the section of the ceiling being considered. For example, more screws are required for panel butt joints compared to junctions without joints.

*2 All inspection hatches excluding OWApplan board. The OWApplan^{70/90} mineral board must be trimmed to the size of the inspection flap on site and glued in with adhesive no. 99/24.

OWApplan mineral boards

No.	Description	2400 x 1200 mm
00082994	OWApplan ⁹⁰ board 2400 x 1200 x 25 mm, circumferential edge approx. 30 mm fleece-free	1.0 m ²
00082993	OWApplan ⁷⁰ board 2400 x 1200 x 20 mm, circumferential edge approx. 30 mm fleece-free	1.0 m ²

OWApplan plaster system

No.	Description	Container sizes	Range per VPE	Material required per m ²
2015	OWApplan Filler*1, spatula, dry goods	7.5 kg bucket of powder corresponds to 12.5 kg mixed on site	Approx. 50 - 60 m ² (mixed)	Approx. 0.15 kg
2016	OWApplan Tape, textile tape, wide 48 mm	90 m roll	Approx. 70 m ²	Approx. 1.3 m
2017	OWApplan S, Acoustic Coating 60/2, white, wet material	15 kg bucket	Approx. 7 - 10 m ² *3	Approx. 2.0 kg *3
2018	OWApplan XS*2, Finest Acoustic Coating 27/990H, white, dry material	7.5 kg bucket of powder corresponds to 12.2 kg mixed on site	Approx. 10 - 13 m ² *3 (mixed)	Approx. 1.1 kg *3
2025	OWApplan color, Colored Acoustic Coating 162, RAL/NCS colour on request, wet material	15 kg bucket	Approx. 7.0 m ² *3 with screw pump (smooth finish)	Approx. 2.0 kg *3 with screw pump (smooth finish)
2025	OWApplan color, Colored Acoustic Coating 162, RAL/NCS colour on request, wet material	15 kg bucket	Approx. 10 m ² *3 with Airless pump (extra smooth finish)	Approx. 1.5 kg *3 with Airless pump (extra smooth finish)

*1 Mixing ratio for OWApplan Filler: 5 l water to 7.5 kg powder

*2 Mixing ratio for OWApplan XS: 4.7 l water to 7.5 kg powder

*3 Incl. Overspray

System description:

OWAconstruct premium system S 7 OWAplan

Quality requirements for mineral tiles:

OWAacoustic mineral tiles firmly bound. The board is free from asbestos. No formaldehyde is added in the manufacturing process of the mineral tiles. The mineral wool used for the production of the tile is bio-soluble. The criteria for non-classification as a carcinogenic substance in accordance with the Chemicals Prohibition Ordinance (Section 1 Appendix, Paragraph 23 biopersistent fibres) are met and guaranteed by the 'RAL seal of approval for mineral wool'. Verification of fitness for use according to EU CPR: CE marking and Declaration of Performance (DoP).

Mineral tiles accordance with EN 13964 and DIN 18177.

Air permeability class PM 1
Formaldehyde class FH 1
Emission of VOC TVOC 1

Installation should be carried out in accordance with the information contained in system leaflet S 7 and OWAplan-Installation Guide no. 1031 e. The system S 7 with OWAplan seamless acoustic plaster ceiling is CE marked.

Construction parts:

OWAconstruct no. 2001 Nonius hanger lower part
OWAconstruct no. 16/... Nonius hanger upper part
OWAconstruct no. 51/22 resp. no. 51/27 wall angle
OWAconstruct no. 2003 CD profile, supporting grid and tile grid, 60 x 27 x 0.6 mm
OWAconstruct no. 2004 cross connector
OWAconstruct no. 2005 profile connector
OWAconstruct no. 2012 U-shaped hanger for inclined installation/direct mounting
OWAconstruct no. 2013 Nonius base for inclined installation
OWAconstruct no. 2019 and no. 2024 – tile and self-tapping screw
Further construction parts are required to complete installation.

Product warranties

The information provided in this leaflet is based on the standards and data available at the time of publication. Any performance, warranties or guarantees provided, expressed or implied, are subject to the exclusive use of OWA components and the installation of those components in accordance with our recommendations. Failure to adhere to these conditions will result in the invalidation of any performance claims, warranties or guarantees and rejection of any liability. OWA reserves the right to make any technical improvements to the products, systems or services without prior notice. **All goods and services are supplied in accordance with our current Terms and Conditions of Sale.** Errors excepted!



The information in this brochure is up-to-date at the time of publication. Errors and mistakes excepted. Please contact our competence team OWAconsult for specific advice. Our experts will be happy to answer your questions under the following contact details: tel: +49 9373 201-444 or e-mail: info@owaconsult.de

Odenwald Faserplattenwerk GmbH

Dr.-F.-A.-Freundt-Straße 3 | 63916 Amorbach | Germany
tel +49 9373 201-0 | info@owa.de
www.owa-ceilings.com